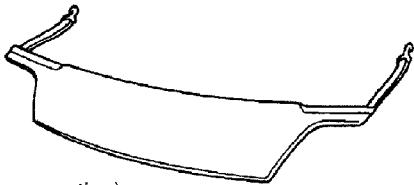
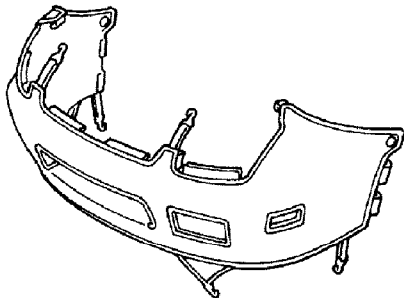
 HONDA INSTALLATION INSTRUCTIONS	Accessory FULL NOSE MASK P/N 08P35-S30-100G	Application 2000 PRELUDE	Publications No. All 21007
			Issue Date SEP 1999

PARTS LIST

Mask (hood section)



Mask (bumper section)



2 Snap-screws



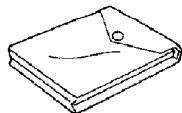
2 Washers



2 Fenderwell nuts



Storage bag



TOOLS AND SUPPLIES REQUIRED

Stubby #2 Phillips screwdriver

Scissors

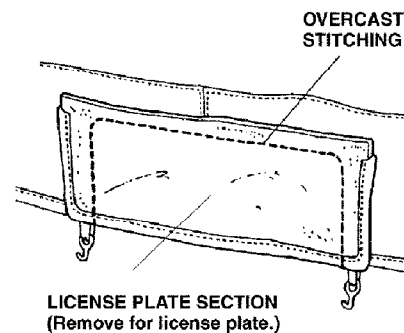
INSTALLATION

- Make sure the vehicle and the mask are clean and completely dry before installation. If moisture under the mask is allowed to dry, it may cloud the paint. If the mask gets wet, remove it and allow it to air-dry completely.
- Make sure any repainted surfaces are cured.
- Make sure the hood and nose of the vehicle have been waxed with a high-quality paste wax.
- Make sure you install the mask securely. If the mask starts to flap or comes loose while driving, safely pull off the highway, stop the vehicle, and secure or remove the mask.

Displaying the License Plate

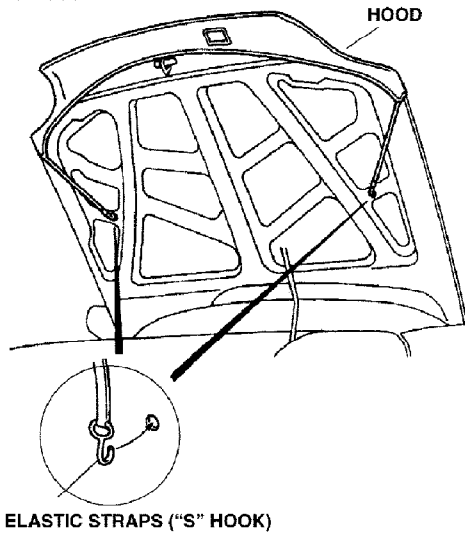
If your state law requires the display of both license plates, cut out the piece in the bumper section that covers the front license plate:

- Face the inside of the mask toward you.
- Carefully cut out the license plate section with scissors at the top seams, and remove the overcast stitching.



Installing the Hood Section

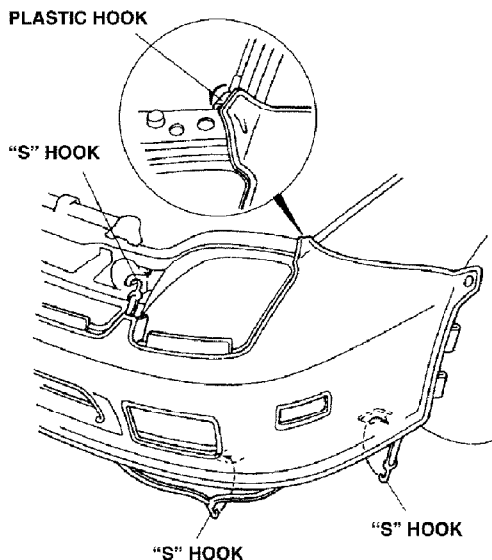
1. Open the hood. Fit the corners of the hood section around the hood; adjust it so that it fits smoothly over the edges. Attach the "S" hooks to the hood.



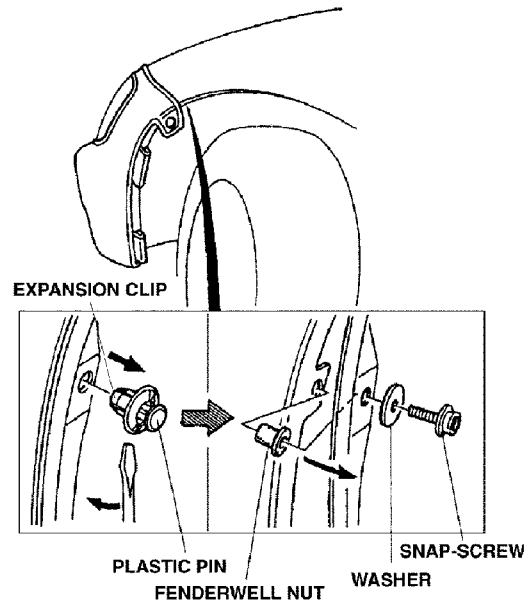
2. Secure the mask by hooking the two elastic straps to the holes in the back of the hood.

Installing the Bumper Section

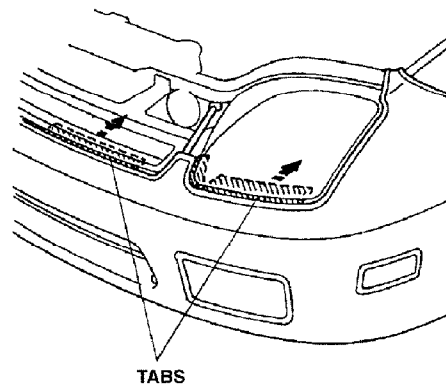
3. Attach the plastic hook to the top inside edge of the fender, and attach the "S" hook to the bottom inside edge. Attach the "S" hook with two straps to the splash guard under the bumper. Attach the remaining "S" hook to the grille. Repeat on the other side of the vehicle.



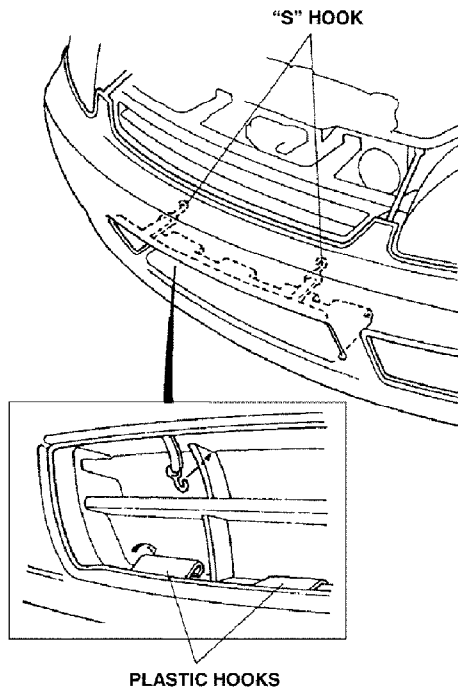
4. Turn the steering wheel all the way clockwise.
5. Pry out the plastic pin, and remove the expansion clip that fastens the inner fender; remove and retain the clip, then clean the area around the hole.



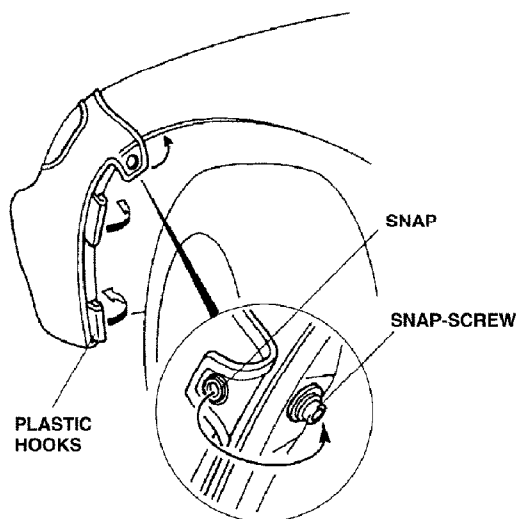
6. Pull out on the inner fender, and press one fenderwell nut (supplied) into the hole in the fender flange. Reposition the inner fender against the fender.
7. With its washer in place, securely tighten a snap-screw into the fenderwell nut.
8. Turn the steering wheel all the way counterclockwise, and repeat steps 5 through 7 on the other side of the vehicle.
9. On both sides, insert the tabs between the bumper and the headlight and between the bumper and the grille.



10. Attach the two "S" hooks and four plastic hooks to the top and bottom edges of the grille.



11. Snap the nose mask to the snap-screw. Repeat on the other side of the vehicle.



12. Pull the mask back toward the wheelwell, smooth out any wrinkles, and hook the plastic hooks around the edge of the fender. Repeat on the other side of the vehicle.

13. Put these instructions and the expansion clips removed in step 5 into the storage bag, and place it in the trunk for future use.

CLEANING THE NOSE MASK

Use a sponge or cloth and a solution of mild liquid dishwashing soap and water to clean the vinyl and the flannel backing. Rinse the mask completely with clean water and hang it to dry, out of direct sunlight. Make sure the mask is completely dry before you reinstall it.