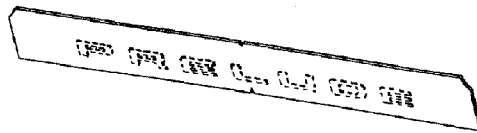
 HONDA INSTALLATION INSTRUCTIONS	Accessory GOLD "PRELUDE" EMBLEM P/N 08F20-S30-100G	Application 2000 PRELUDE	Publications No. All 21009
			Issue Date SEP 1999

PARTS LIST

Gold "PRELUDE" emblem



TOOLS AND SUPPLIES REQUIRED

Flat-tip screwdriver
 Long-nose pliers
 Isopropyl alcohol
 Shop towel

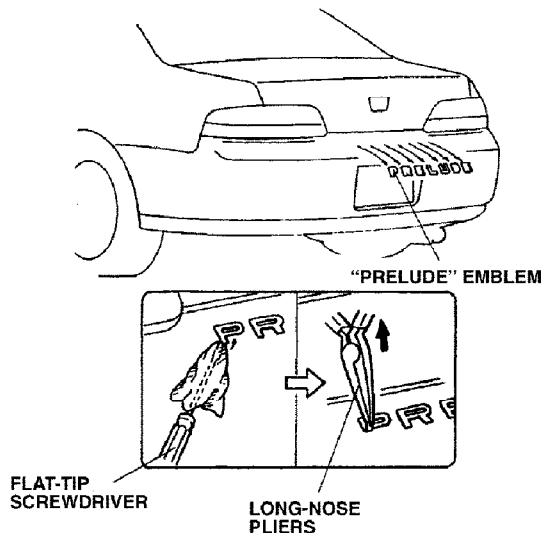
INSTALLATION

NOTE:

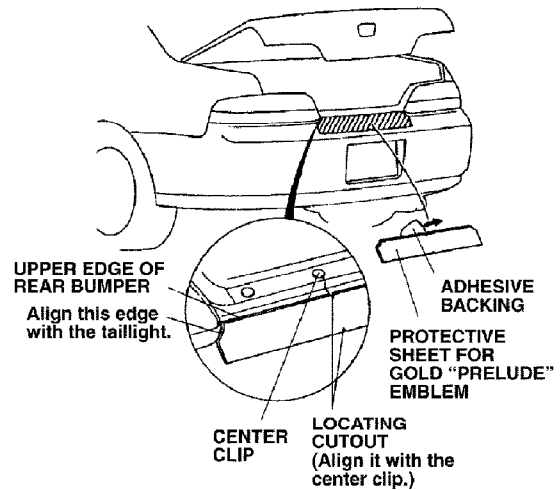
This emblem kit should be installed only when the ambient air temperature is 60°F (15°C) or above.

To allow the adhesive to cure, do not wash the vehicle for 24 hours.

- Using a shop towel around a flat-tip screwdriver, gently pry on the end of each letter of the "PRELUDE" emblem to loosen one corner; then use long-nose pliers to remove each letter from the rear bumper.



- Open the trunk lid, and thoroughly clean the area where the "PRELUDE" emblem was removed with isopropyl alcohol on a shop towel.
- Remove the adhesive backing from the gold "PRELUDE" emblem, and attach it to the rear bumper.



- Hold the emblem firmly against the rear bumper with the palm of your hand, while you remove the protective sheet.

