

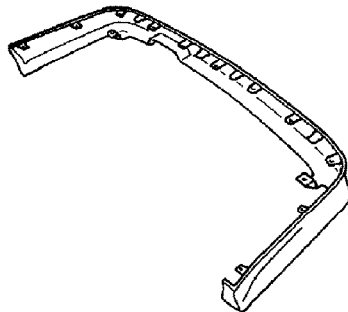
PUB No. Title
AI AII21016 2000 PRELUDE REAR UNDER SPOILER

Issued
09/10/1999

 HONDA INSTALLATION INSTRUCTIONS	Accessory REAR UNDER SPOILER	Application 2000 PRELUDE	Publications No. All 21016
			Issue Date SEP 1999

PARTS LIST

Rear under spoiler



6 Bumper bolts



2 Spring clips



2 Adhesive tapes
(double-sided)



TOOLS AND SUPPLIES REQUIRED

Ratchet
10 mm Socket
10 mm Combination wrench
Clip remover
Phillips screwdriver
Flat-tip screwdriver
Shop towel
Piece of cardboard

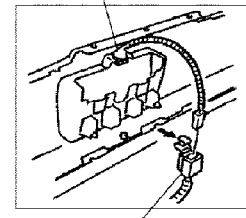
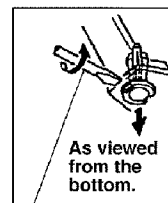
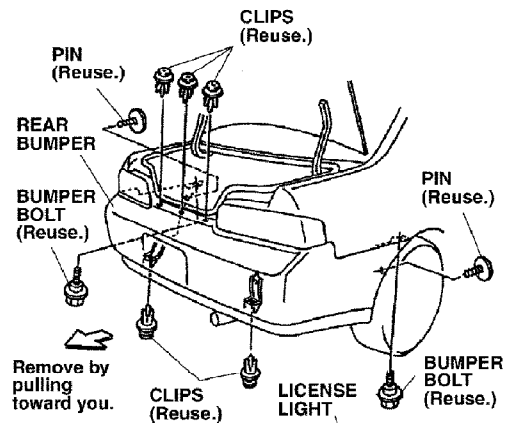
INSTALLATION

Customer Information: The information in this installation instruction is intended for use only by skilled technicians who have the proper tools, equipment, and training to correctly and safely add equipment to your car. These procedures should not be attempted by "do-it-yourselfers."

NOTE: Be extremely careful not to damage the rear bumper and other finished surfaces of the body.

1. Remove the rear bumper:

- Open the trunk, and remove the three clips from the top of the bumper.
- On the bottom of the bumper, remove the two clips.
- On each rear fenderwell, remove one bumper bolt.
- Using a clip remover, remove the pin from each fenderwell.
- Disconnect the license plate light connector, and remove it from its mounting tab. With the help of an assistant, slide the rear bumper out and remove it. Set the bumper on a piece of cardboard to avoid scratching it while you install the rear under spoiler.

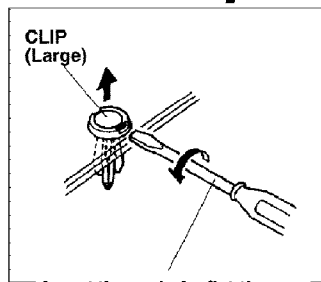
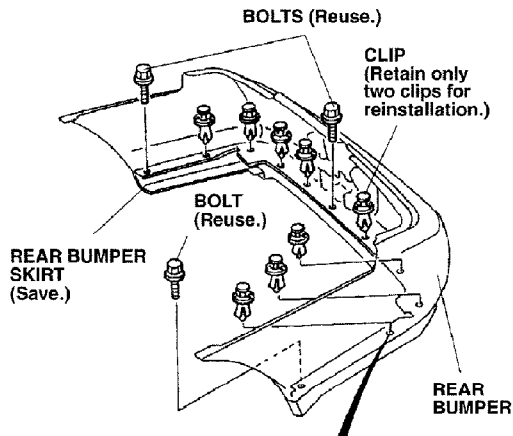


Insert the end of a flat-tip screwdriver between the clip and the rear bumper, and turn the screwdriver in the direction shown.

PUB No. Title
AI AII21016 2000 PRELUDE REAR UNDER SPOILER

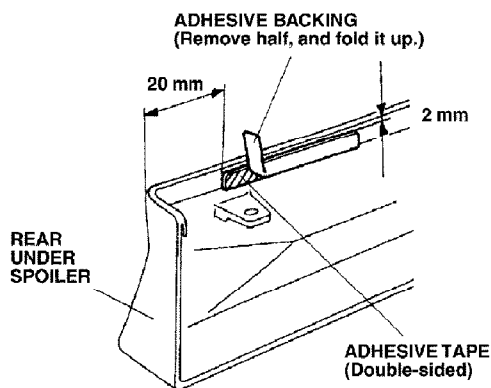
Issued
09/10/1999

- Remove the eight clips and three bolts fastening the rear bumper skirt to the rear bumper. Save the skirt for your customer.

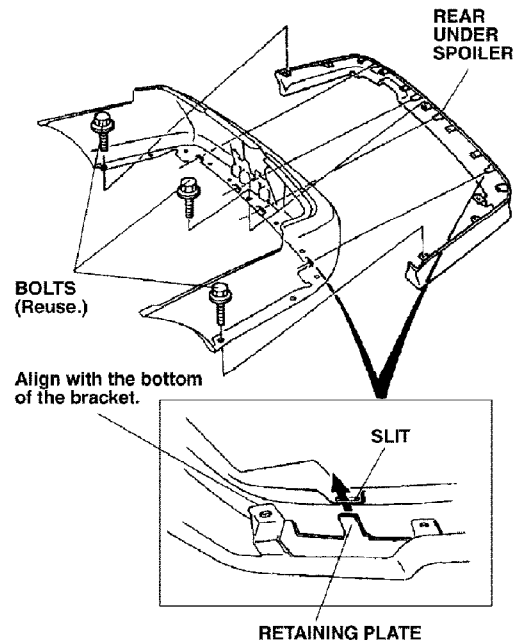


Insert the end of a flat-tip screwdriver between the clip and the rear bumper, and turn the screwdriver in the direction shown.

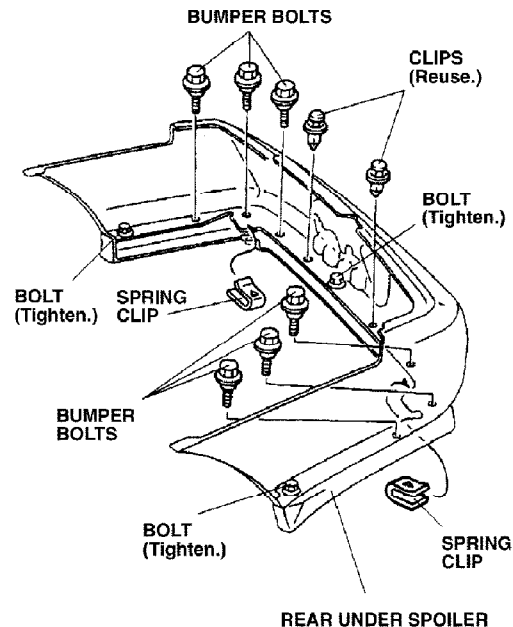
- Get the new rear under spoiler and two adhesive tapes from the kit. Remove the adhesive backing from one side of each adhesive tape, and attach the tapes to the rear under spoiler. Remove half of the adhesive backing from the other side of each tape, and fold up the backing.



- Insert the four retaining plates of the rear under spoiler into the slits in the bottom of the rear bumper, and reinstall the three bolts removed in step 2. Do not tighten the bolts yet.



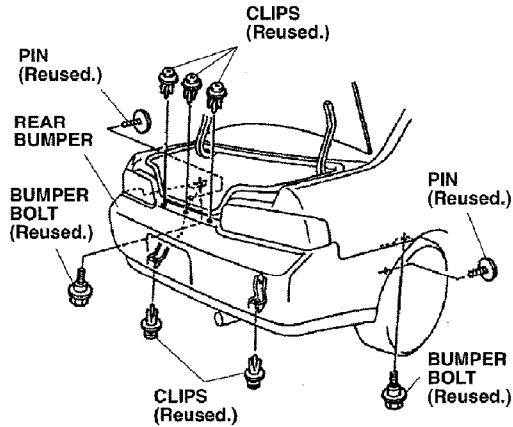
- Install the six bumper bolts from the kit and two of the clips removed in step 2. (The remaining six clips removed in step 2 are not reused.)



PUB No. Title
AI AII21016 2000 PRELUDE REAR UNDER SPOILER

Issued
09/10/1999

6. Tighten the three bolts you installed in step 4; then slide the two spring clips over the edges of the bumper and spoiler at the holes drilled in the right and left corners.
7. Reinstall the rear bumper. Reconnect the license plate light connector, and attach it to its mounting tab.



8. While applying pressure to the rear under spoiler, carefully remove the folded adhesive backings. Check that there is no clearance between the rear bumper and the rear under spoiler.

