 <b>HONDA</b> <b>INSTALLATION</b> <b>INSTRUCTIONS</b>	Accessory	Application	Publications No.
	REAR SUNSHADE P/N 08R10-S30-100	2000 PRELUDE	All 21015
			Issue Date SEP 1999

## PARTS LIST

Roll blind



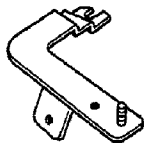
2 Caps



Right bracket



Left bracket



12 Flange nuts, 5 mm



2 Hooks



2 Screws, 5 x 20 mm



2 Washers, 5 mm



## TOOLS AND SUPPLIES REQUIRED

Phillips screwdriver

8 mm Box

Ratchet

Scissors

Masking tape

Felt-tip pen

Eye protection (face shield, safety goggles, etc.)

Center-punch

Drill

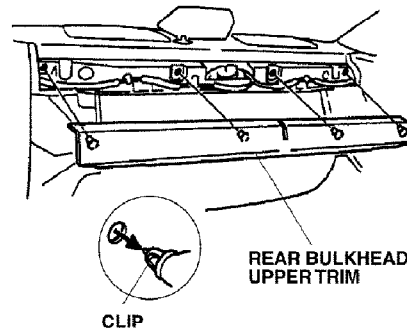
6 mm Drill bit

## INSTALLATION

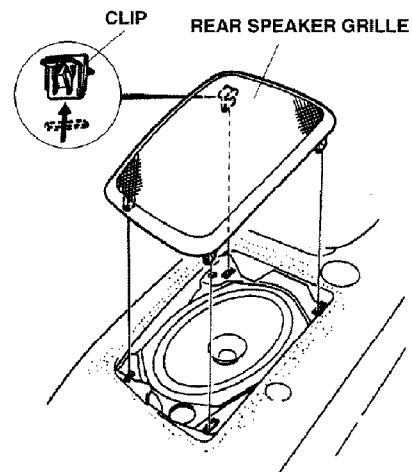
**Customer Information:** The information in this installation instruction is intended for use only by skilled technicians who have the proper tools, equipment, and training to correctly and safely add equipment to your car. These procedures should not be attempted by "do-it-yourselfers."

**NOTE:** The illustrations in these instructions show the right bracket being installed. The same procedure applies to the left bracket.

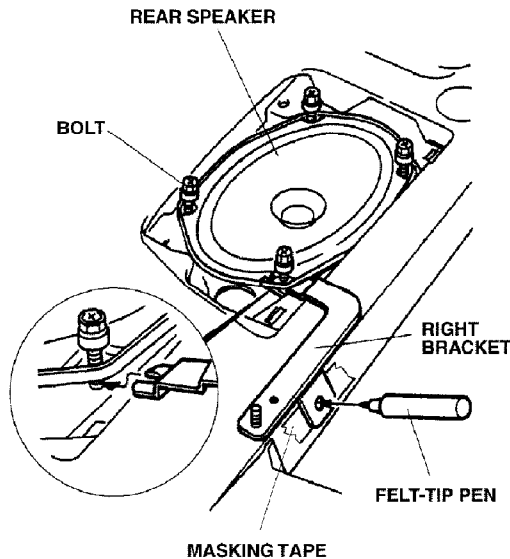
1. Fold the rear seat forward, and carefully pull on the rear bulkhead upper trim at each of the four clip positions. Remove the trim.



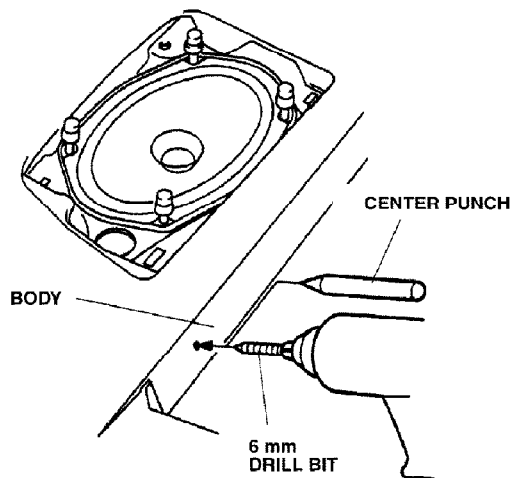
2. Pry up on the four retaining clips, and remove the rear speaker grille.



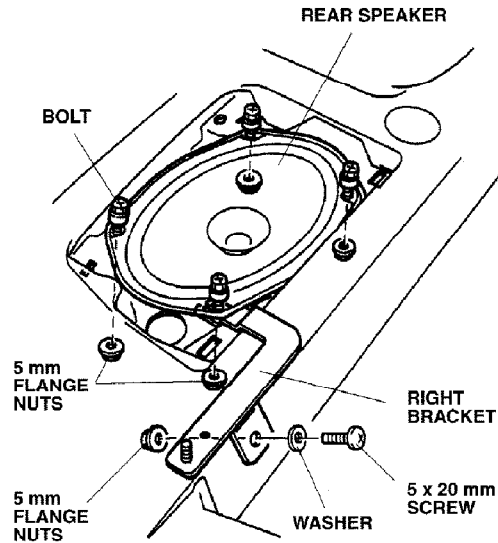
- Loosen the four bolts that fasten the rear speaker; slide the fork end of the right bracket under the speaker frame, and engage it with the left front speaker mounting bolt. Apply a piece of masking tape in the area shown. Using a felt-tip pen, mark the tape at the lower hole in the bracket. Remove the bracket.



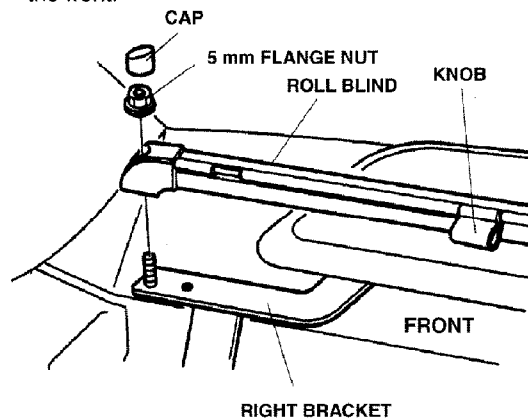
- Lightly center-punch the mark and remove the masking tape. While wearing eye protection, drill a 6 mm hole through the body.



- Reinstall the right bracket, and align its lower hole with the 6 mm hole. Install a 5 x 20 mm screw, a washer, and a 5 mm flange nut.

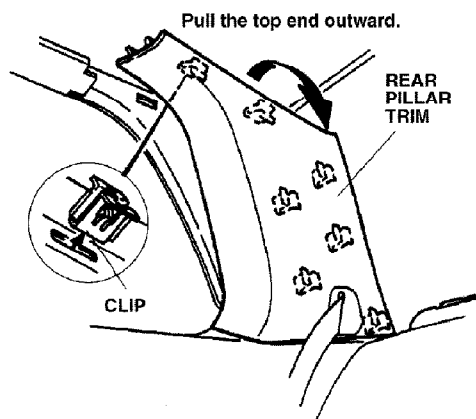


- Retighten the four bolts loosened in step 3. Inside the trunk, install a 5 mm flange nut on the end of each bolt, and tighten them securely.
- Repeat steps 2 through 6 to drill the body and install the left bracket on the left side of the vehicle.
- Reinstall the rear bulkhead upper trim, and lift up the rear seat. Reinstall the two rear speaker grilles.
- Position the roll blind on the brackets, and install a 5 mm flange nut on the stud at both ends of the roll blind. Install the roll blind with the knob facing the front.

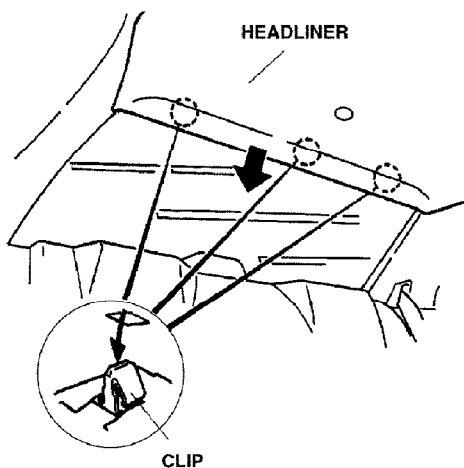


- Install the two caps over the 5 mm flange nuts.

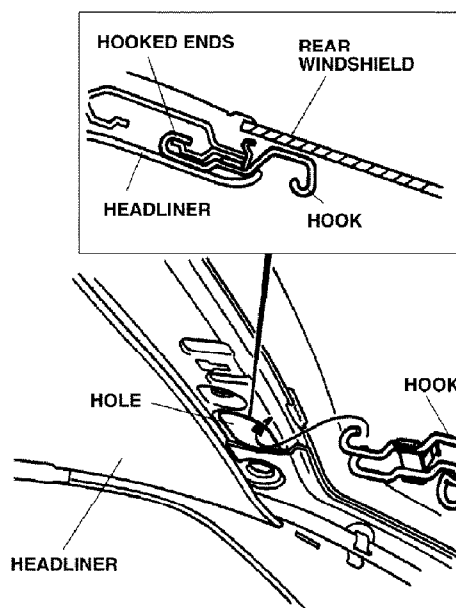
11. Pry up on the seven retaining clips, and pull the rear pillar trim out toward you (both sides).



12. Release the three clips securing the rear portion of the headliner by pulling the lining in the direction shown.



13. Attach the hooked ends of one hook to the edge of the round hole in the roof panel. Repeat with the other hook on the other side. Reinstall the headliner.



14. Reinstall all removed parts.
15. Check the operation of the rear sunshade by pulling out the roll blind and hooking it onto the hooks.