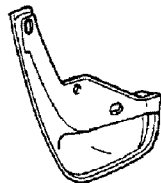


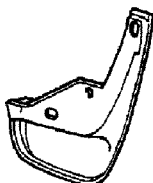
 HONDA INSTALLATION INSTRUCTIONS	Accessory	Application	Publications No.
	SPLASH GUARDS P/N 08P00-S30-100	2000 PRELUDE	All 21021 Issue Date SEP 1999

PARTS LIST

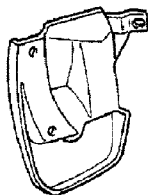
Right-front splash guard



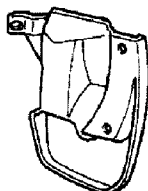
Left-front splash guard



Right-rear splash guard



Left-rear splash guard



4 Spring nuts



Plastic grommet



5 Self-tapping screws,
5 x 20 mm



TOOLS REQUIRED

Phillips screwdriver

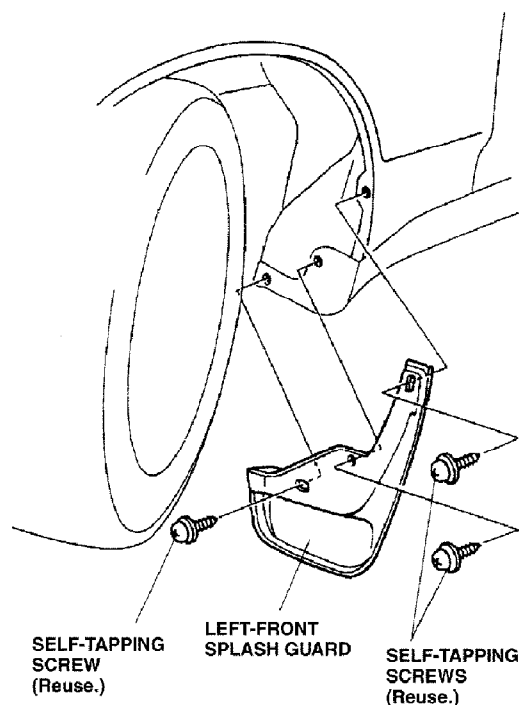
Stubby Phillips screwdriver

INSTALLATION

1. Make sure the area to be covered is clean and has been waxed with a high-quality paste wax.

Installing the Front Splash Guards

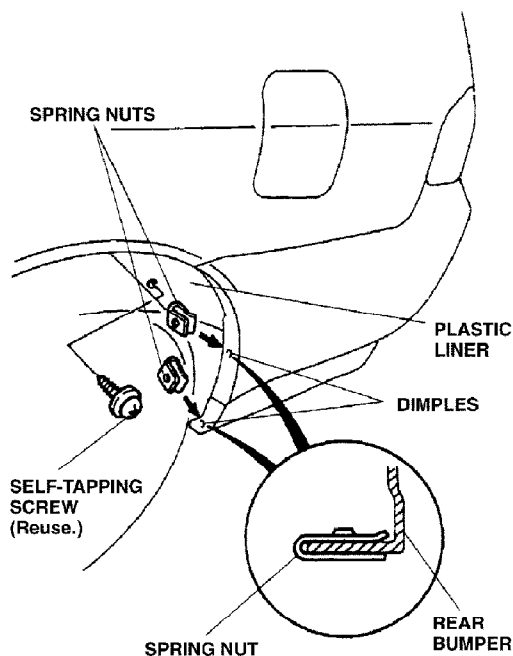
2. Turn the steering wheel all the way counterclockwise to provide access to the left fenderwell.
3. Remove and retain the three self-tapping screws that fasten the inner fender to the fender.
4. Position the left-front splash guard on the fender, and install the three self-tapping screws removed in step 3.



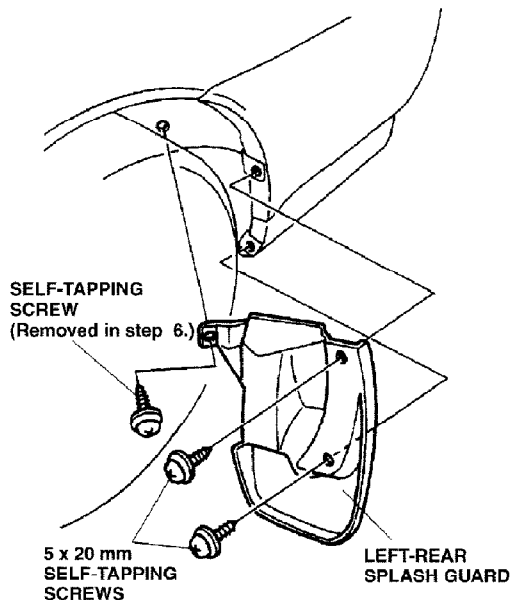
5. Turn the steering wheel all the way clockwise, and repeat steps 3 and 4 to install the right-front splash guard.

Installing the Rear Splash Guards

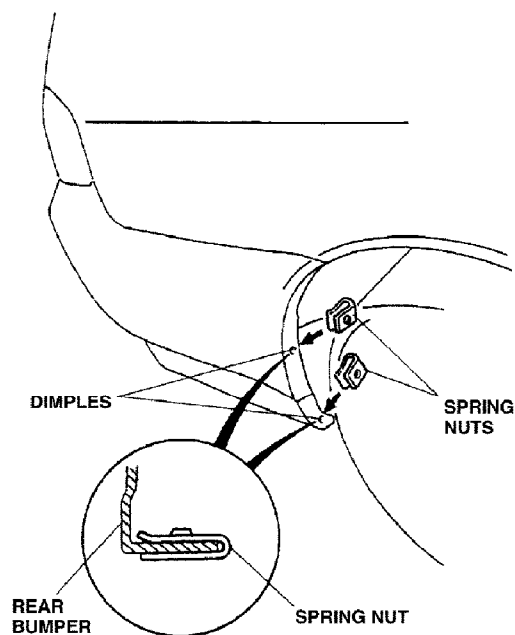
6. On the driver's side of the vehicle, remove and retain the self-tapping screw securing the plastic liner, and slide two spring nuts over the dimpled areas of the rear bumper.



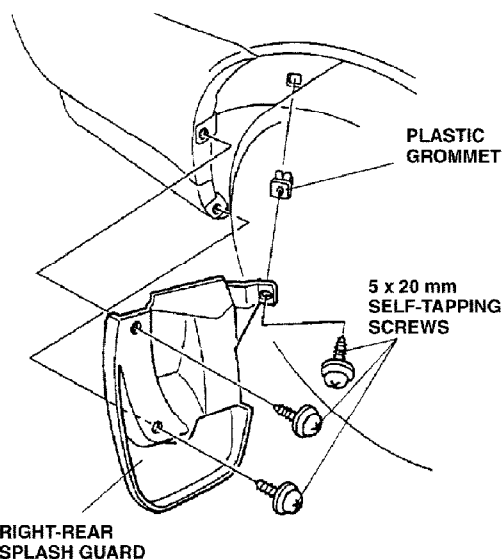
7. Position the left-rear splash guard on the rear bumper, and install two of the 5 x 20 mm self-tapping screws supplied and the self-tapping screw removed in step 6.



8. On the passenger's side, slide two spring nuts over the dimpled areas of the rear bumper.



9. Press a new plastic grommet into the inner fender.



10. Position the right-rear splash guard on the rear bumper, and install three of the 5 x 20 mm self-tapping screws supplied.